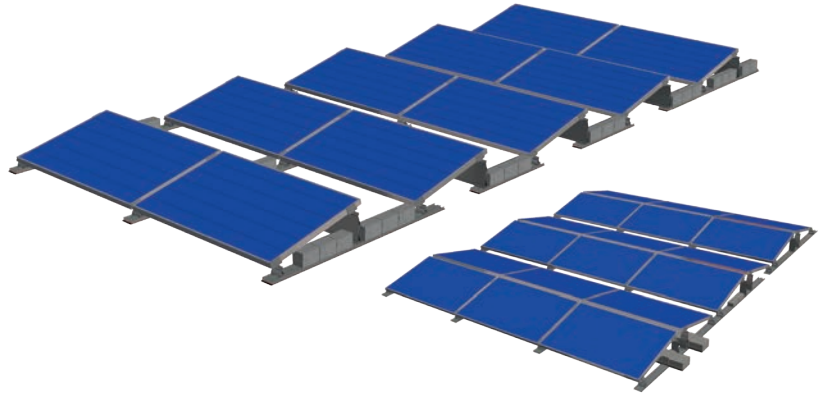


FixGrid™

- Non-penetrating ballasted system
- Ideally suited for flat roofs
- Module tilt angle of 6 or 13 degrees
- Low ballast due to wind tunnel testing
- Optimized for cost efficiency



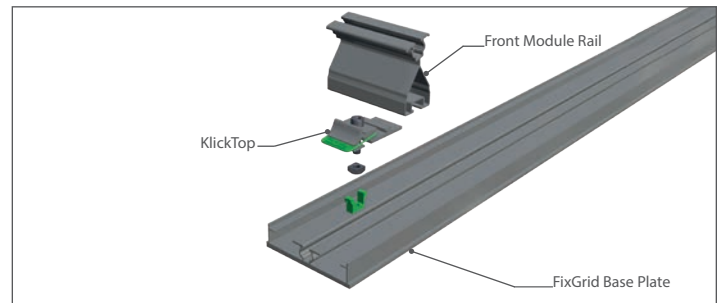
Schletter's latest offering for flat-roof photovoltaic (PV) applications combines the versatility, material optimization, and speed of installation of its predecessors into one system—the **FixGrid**. Made of aluminum, FixGrid is designed to use material efficiently, without compromising quality or safety.

FixGrid securely mounts most framed PV modules in landscape orientation with fixed tilts of 6 or 13 degrees using Schletter's proven FixZ-7 or FixZ-15 rails. Adding to this versatility is Schletter's proprietary **KlickTop™** connector making connections far less cumbersome than other mounting systems.

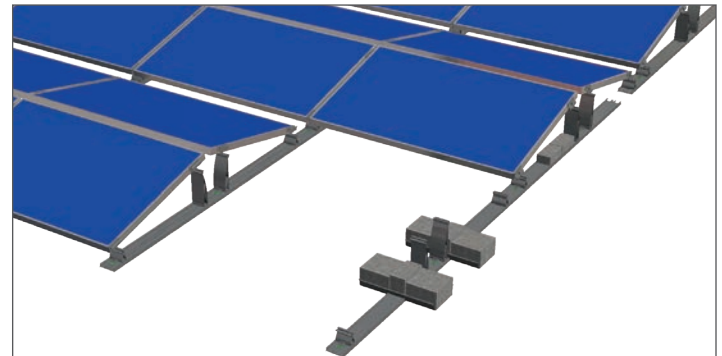
Wind tunnel testing is applied resulting in an optimized system which means less ballast requirements and less load stress applied to the structure.

Ballast material can be positioned on the bottom rail (see FixGrid image to right) or placed in optional ballast trays (see FixGrid 100 image, lower right). For more information, please see the following documents:

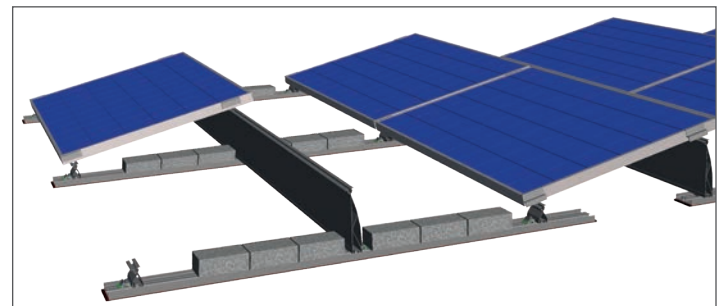
- ➔ [FixGrid Installation Manual](#)
- ➔ [General Roof Checklist for ordering](#)



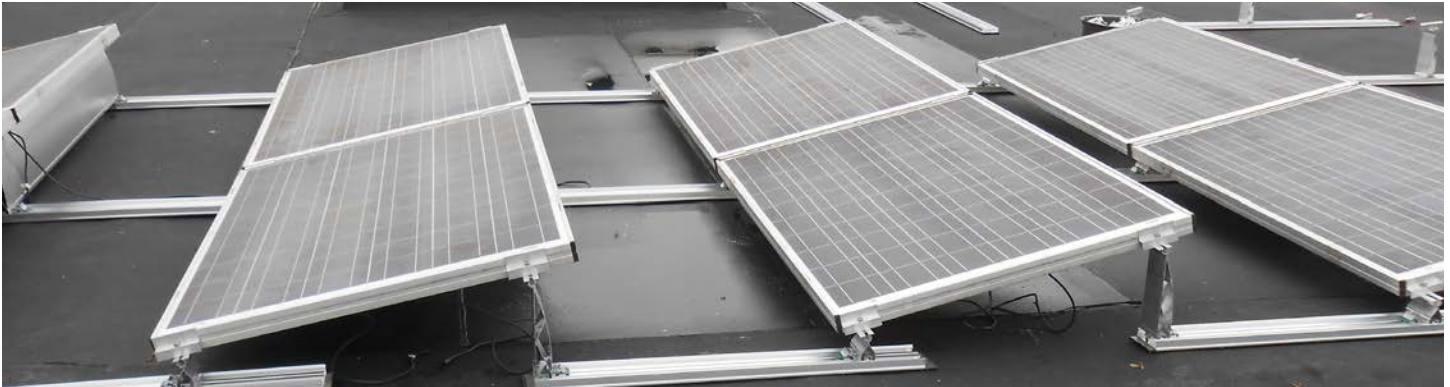
Connection between base rail and front module rail with KlickTop



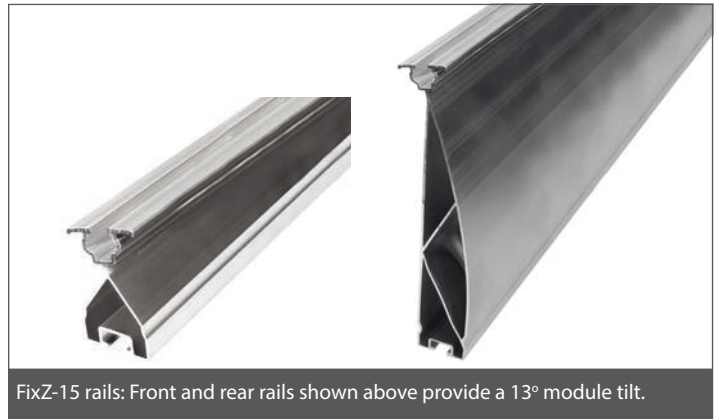
FixGrid 100: East/West facing module orientation, optional ballast block tray shown



FixGrid: South facing module orientation, ballast support by base rail



FixZ-7 rails: Front and rear rails shown above provide a 6° module tilt.



FixZ-15 rails: Front and rear rails shown above provide a 13° module tilt.

Technical Data

Material	System profiles and KlickTop attachment made of aluminum Module clamps made of aluminum
Structural Analysis	Design loads according to current NBC and provincial codes
System Structure	Distance according to module height, rows according to shading distance
Roof Application	Flat roofs with a max inclination of 3°. Use of tension connectors or other mechanical anti-slide mechanism is recommended for higher inclinations.
Seismic Considerations	Connection to meet seismic requirements available with minimal roof penetration
Warranty	20-year limited warranty
Ordering Options	Wire management available including cable clips and trays

For more information or a quote, please contact technical sales at 519-946-3800 or at sales@schletter.ca. More information on all Schletter products can be found online at www.schletter.ca.