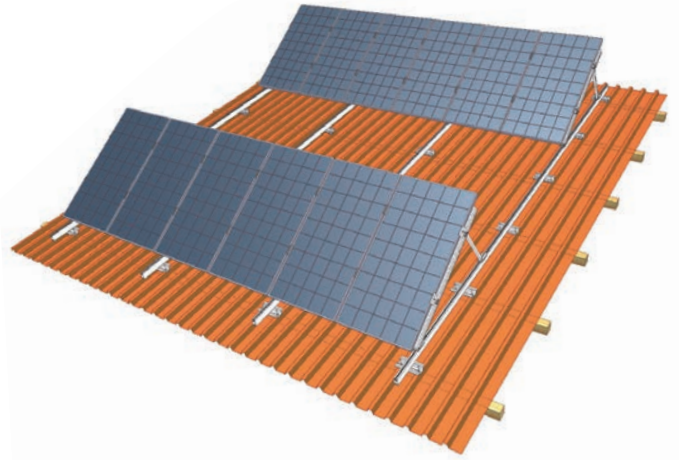


CompactVario

Features and Benefits

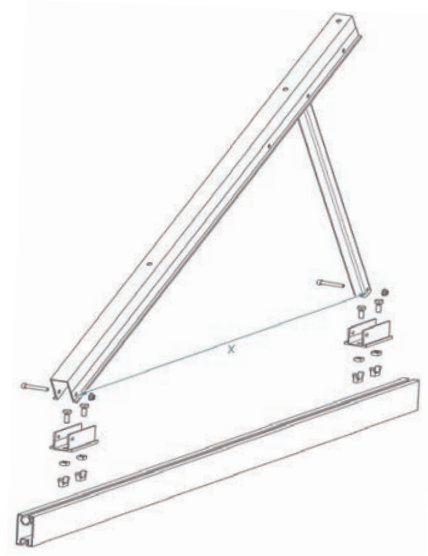
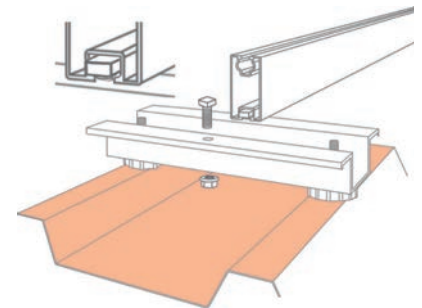
- Designed to span large distances between purlins
- Universal system, mountable to almost every purlin roof
- Non-penetrating or penetrating solution
- No drilling required at installation site






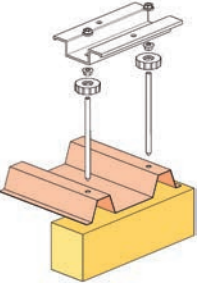
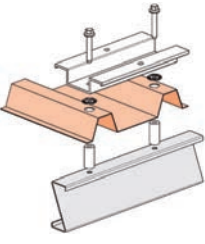
CompactVario is a tilted mounting system for flat and pitched roofs, designed specifically for spanning large distances between purlins. The DN rail series is used as a distribution rail below the triangular supports. The distribution rail usually runs in a North-South direction crossing East-West running trusses or purlins of the roof.

Combining the different attachment elements (e.g., FixT, etc.) with CompactVario creates a universal system, **mountable to almost every purlin roof**.

The CompactVario can also be used in ballasted racking environments. In this case, connecting the single Windsafe™ racks in a North-South direction will tie the single racks together to one large grid, offering more wind resistance.



Technical Data

Material	<p>Fastening elements are selected according to the roof covering, the stability of the fastening elements mainly depends on the purlin distances.</p> <p>Bottom beams (aluminium) are determined according to the span width (DN0 to DN2.5).</p> <p>Support attachments are fixed to the bottom beams in a freely shiftable manner.</p>																											
Structural Analysis	<p>Standard Welding</p> <p>Each installation can be structurally analyzed by means of individual parameters (local roof height, wind loads, snow loads); a special structural analysis program helps in choosing the most cost-efficient profile and the most suitable connection to the substructure and optionally determines the power vectors at the points of load application for the integration in the building statics.</p>																											
Bottom rail Examples	<div style="display: flex; justify-content: space-around; align-items: flex-start;"> <div style="text-align: center;">  <table border="1" data-bbox="527 646 722 735"> <thead> <tr> <th>DN0</th> <th>w</th> <th>h</th> </tr> </thead> <tbody> <tr> <td>mm</td> <td>40</td> <td>40</td> </tr> <tr> <td>inches</td> <td>1.57</td> <td>1.57</td> </tr> </tbody> </table> </div> <div style="text-align: center;">  <table border="1" data-bbox="901 646 1096 735"> <thead> <tr> <th>DN1</th> <th>w</th> <th>h</th> </tr> </thead> <tbody> <tr> <td>mm</td> <td>40</td> <td>80</td> </tr> <tr> <td>inches</td> <td>1.57</td> <td>3.15</td> </tr> </tbody> </table> </div> <div style="text-align: center;">  <table border="1" data-bbox="1274 646 1469 735"> <thead> <tr> <th>DN2,5</th> <th>w</th> <th>h</th> </tr> </thead> <tbody> <tr> <td>mm</td> <td>50</td> <td>110</td> </tr> <tr> <td>inches</td> <td>1.97</td> <td>4.33</td> </tr> </tbody> </table> </div> </div> <p>The lower side of the mounting beam is designed as a shift groove for bolted connections M10. There is a click groove at the upper side. A square nut M10 is clicked into the click groove by means of the Klick™ component, then the supports or other connection elements are screwed on this square nut.</p>	DN0	w	h	mm	40	40	inches	1.57	1.57	DN1	w	h	mm	40	80	inches	1.57	3.15	DN2,5	w	h	mm	50	110	inches	1.97	4.33
DN0	w	h																										
mm	40	40																										
inches	1.57	1.57																										
DN1	w	h																										
mm	40	80																										
inches	1.57	3.15																										
DN2,5	w	h																										
mm	50	110																										
inches	1.97	4.33																										
Connector Examples FixT™ wood/steel Sheet metal clamps Roof hooks, etc.	<div style="display: flex; justify-content: space-around; align-items: center;"> <div style="text-align: center;">  <p>FixT wood</p> </div> <div style="text-align: center;">  <p>FixT steel</p> </div> </div>																											
Warranty	20-year limited warranty																											

For more information or a quote, please contact technical sales at 519-946-3800 or at sales@schletter.ca. More information on all Schletter products can be found online at www.schletter.ca.